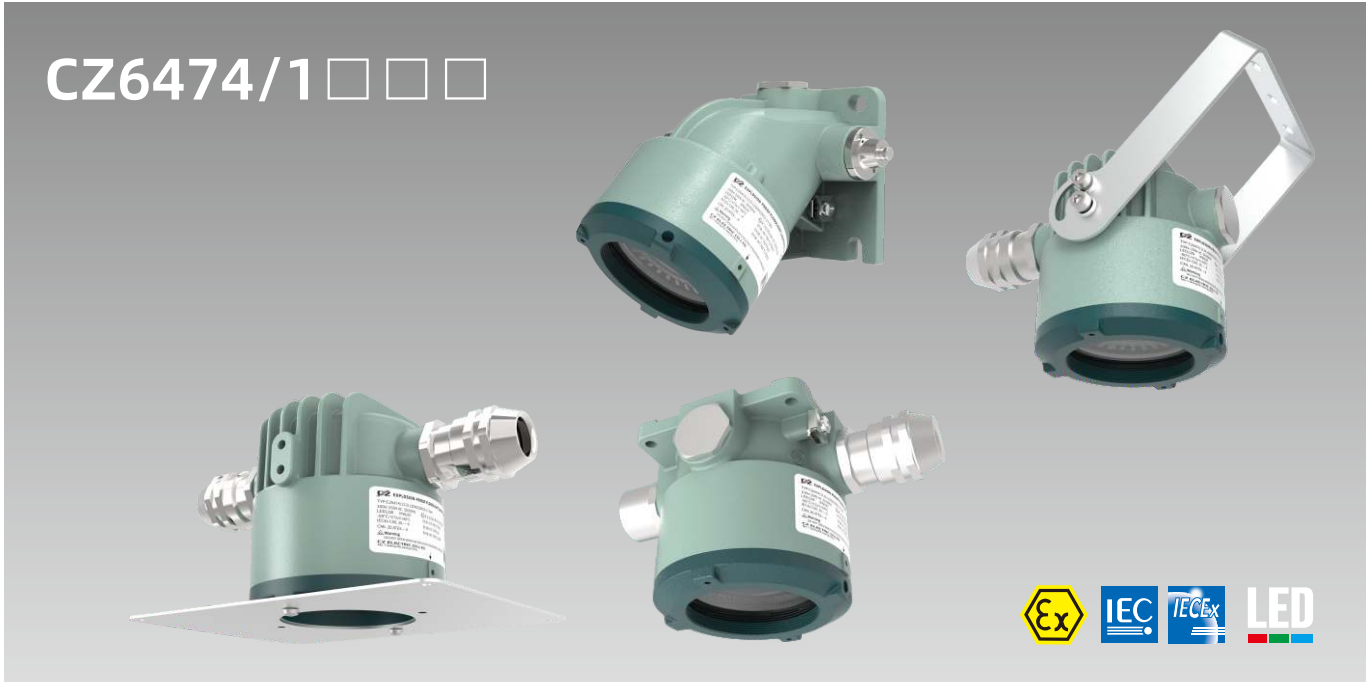


CZ6474/1□□□

A


描述 Descriptions

防爆灯外壳由铝合金压铸成型，表面喷涂纯环氧树脂粉末，抗腐蚀性能好。透明罩采用钢化玻璃，外露紧固件采用不锈钢材料。

防爆灯配隔爆型电缆密封套直接引入，防爆灯具内部独特的隔热设计与外部高密度的散热片相结合散热效果更佳。

防爆灯为IIC级LED防爆灯，既适用于的爆炸性环境，也适用于具有强腐蚀性的石化、化学场所和海洋环境等。

防爆灯灯体精巧，额定功率12W，尤其适用于隧道、楼道、操作间等场所，作为固定式照明。根据不同的使用功能及安装条件，该灯可作为平面灯、支架灯、嵌入式灯和墙壁灯用。

防爆灯可选配柔光罩，使灯光更加柔和。

- 长寿命免维护，使用寿命长达50000小时，可实现长期免维护
- 具有良好的电磁兼容性，不会对系统电网造成干扰
- LED属于固态光源，抗震性能佳
- 隔爆最高等级IIC级
- 安装维护方便
- 防护等级高达IP66
- IECEx、ATEX认证

The explosion-proof light fittings shell is made of aluminum alloy die-casting, and the surface is sprayed with pure epoxy resin powder, with highly corrosion resistance. The transparent cover is made of tempered glass, and the exposed fasteners are made of stainless steel.

The explosion-proof light fittings is equipped with flameproof cable gland. The unique heat insulation design combined with the external high-density heat sink, and the heat dissipation effect is better.

The explosion-proof light fittings is IIC LED explosion-proof light fittings, which is not only suitable for explosive environment, but also suitable for petrochemical, chemical places and marine environment with strong corrosivity.

The explosion-proof light fittings has a delicate body and a rated power of 12W. It is especially suitable for tunnels, corridors, operation rooms and other places as fixed lighting. According to different use functions and installation conditions, the lamp can be used as flat lamp, bracket lamp, recessed lamp and wall lamp. The explosion-proof light fittings can be equipped with diffuser to make the light softer.

1 区和 2 区

21 区和 22 区

Zone 1 and zone 2

Zone 21 and zone 22

- It is long life and maintenance-free which the service life is up to 50000 hours.
- There is a feature of good electromagnetic compatibility and it does not cause interference to the system power grid.
- There is a good performance of vibration due to the LED is the solid-state light source.
- The highest flameproof level IIC.
- It is convenient to be mounted and maintained.
- The degree of protection is up to IP66.
- International IECEx Approval, Europe union ATEX Approval.

主要数据 Main technical data

认证 Certification	防爆标志 Ex mark	符合标准 Meet the standard
China	Ex db IIC T6/T5 Gb Ex tb IIIC T80°C/T95°C Db	GB/T3836
IECEX	Ex db IIC T6/T5 Gb Ex tb IIIC T80°C/T95°C Db	IEC60079
ATEX	⊕ II 2GD Ex db IIC T6/T5 Gb Ex tb IIIC T80°C/T95°C Db	EN60079

 适用范围: 用于 1 区和 2 区
 用于 21 区和 22 区

防护等级: IP66

 额定电压: 20 ~ 40V DC/24V AC 50/60Hz
 127~ 250V DC/100 ~ 250V AC 50/60Hz

光源/功率: LED/12W

色温: 标配5000K、(可选3000K、4000K、6500K)

功率因素: > 0.98

 使用环境温度: -60°C/-40°C≤Ta≤+40°C/55°C
 (-60°C灯具电气设备需要定制)

 接线端子: 端子 2.5mm², PE 端子 2×10mm²

电缆入口:

S-平面灯: 1-M25, 电缆外径: Φ12-19mm (CZ1725/1A)
 3-M25, 空塞堵头 (CZ1725/3A)

B-支架灯、**R**-嵌入式灯:
 1-M25, 电缆外径: Φ12-19mm (CZ1725/1A)
 1-M25, 空塞堵头 (CZ1725/3A)

E-墙壁式灯: 1-M25, 电缆外径: Φ12-19mm (CZ1725/1A)
 2-M25, 空塞堵头 (CZ1725/3A)

 Intended use: Can be used in zone 1 and zone 2
 Can be used in zone 21 and zone 22

Degree of protection: IP66

 Rated voltage: 20 ~ 40V DC/24V AC 50/60Hz
 127~ 250V DC/100 ~ 250V AC 50/60Hz

Light source/Power: LED/12W

colour temperature: Standard 5000K, (Optional 3000K, 4000K, 6500K)

Power factor: > 0.98

 Ambient temperature: -60°C/-40°C≤Ta≤+40°C/55°C
 (-60°C lamp electrical equipment need to be customized)

 Terminal: terminal 2.5mm², PE terminal: 2×10mm²



Cable entry:

S- Flat light: 1-M25, outside diameter: Φ12-19mm (CZ1725/1A)
 3-M25, stopping plug (CZ1725/3A)

B-Bracket light, **R**-Recessed light:
 1-M25, outside diameter: Φ12-19mm (CZ1725/1A)
 1-M25, stopping plug (CZ1725/3A)

E-Wall light: 1-M25, outside diameter: Φ12-19mm (CZ1725/1A)
 2-M25, stopping plug (CZ1725/3A)

订购规格 Order specifications

图样 Illustration	柔光罩 Diffuser	光通量 Luminous flux	温度组别T* Temperature class*		重量(kg) Weight	订购号 Order No.
			Ta≤40°C	Ta≤55°C		
 S -平面灯 Flat light	无 Without	1182 lm	T6	T5	1.67	CZ6474/111S-LED0012W5-□-□-DA5
		1182 lm	T6	T5	1.77	CZ6474/121B-LED0012W5-□-□-DA1
		1182 lm	T6	T5	1.80	CZ6474/121R-LED0012W5-□-□-DA1
		1182 lm	T6	T5	1.95	CZ6474/131E-LED0012W5-□-□-DA3
 B -支架灯 Bracket light	有 With	1006 lm	T5	T4	1.70	CZ6474/111S-LED0012W5-□-□-DA5+LW
		1006 lm	T5	T4	1.80	CZ6474/121B-LED0012W5-□-□-DA1+LW
		1006 lm	T5	T4	1.83	CZ6474/121R-LED0012W5-□-□-DA1+LW
		1006 lm	T5	T4	1.98	CZ6474/131E-LED0012W5-□-□-DA3+LW

S-平面灯 Flat light
B-支架灯 Bracket light
R-嵌入式灯 Recessed light
E-墙壁式灯 Wall light

3-3000K 4-4000K 5-5000K 6-6500K ← 色温 Colour temperature

07-20 ~ 40V DC/24V AC 50/60Hz
 17-127~ 250V DC/100 ~ 250V AC 50/60Hz ← 额定电压/频率 Rated voltage/frequency

4 - -40°C≤Ta≤+40°C/+55°C
 6 - -60°C≤Ta≤+40°C/+55°C ← 使用环境温度 Ambient temperature

电缆引入装置编码详见 A/47 页 Code of cable gland see page A/47 ←

柔光罩 (不配不注) Diffuser (Optional) ←

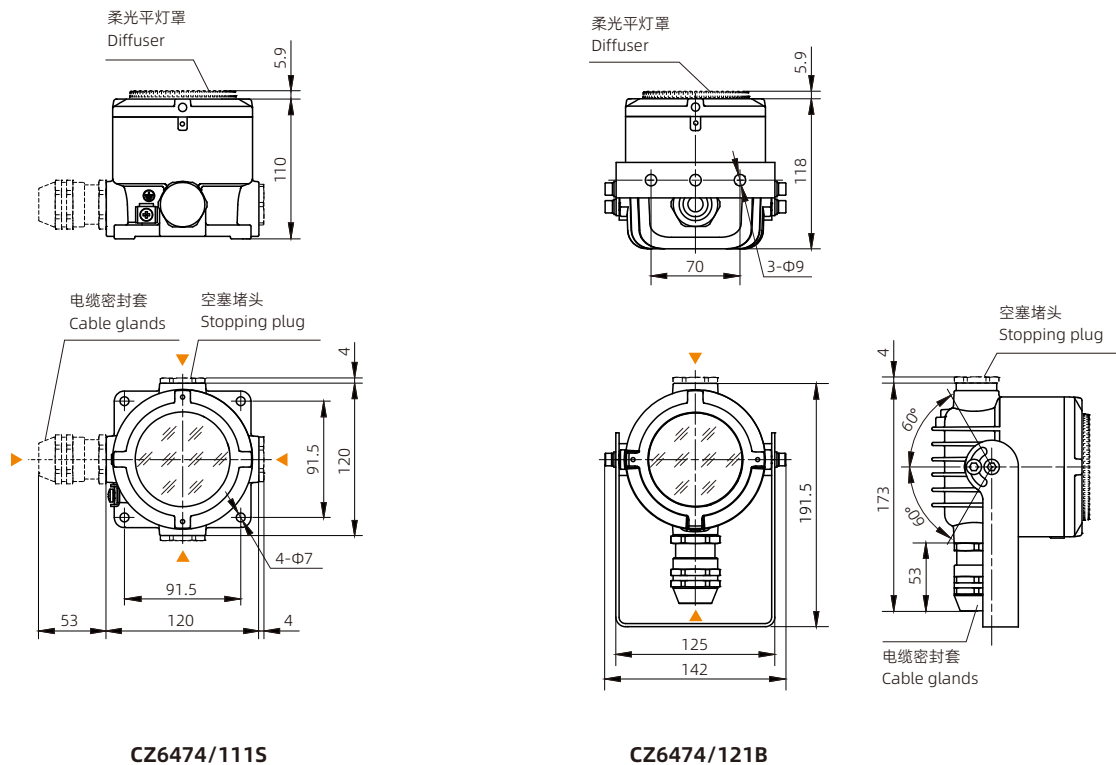
灯具安装形式
 The mounting ways of the light fittings

电缆引入装置编码 Code of cable gland

S-平面灯 Flat light		
编码 Code	规格 Specification	电缆直径 Cable diameter
DA5	铜制 1 个 CZ1725/1A M25×1.5 电缆密封套, 3 个 CZ1725/3A M25×1.5 空塞堵头 One brass CZ1725/1A M25×1.5 cable gland, three CZ1725/3A M25×1.5 stopping plug	Φ12-19mm
DA6	铜制 2 个 CZ1725/1A M25×1.5 电缆密封套, 2 个 CZ1725/3A M25×1.5 空塞堵头 Two brass CZ1725/1A M25×1.5 cable gland, Two CZ1725/3A M25×1.5 stopping plug	Φ12-19mm
B-支架灯 Bracket light、R-嵌入式灯 Recessed light		
DA1	铜制 1 个 CZ1725/1A M25×1.5 电缆密封套, 1 个 CZ1725/3A M25×1.5 空塞堵头 One brass CZ1725/1A M25×1.5 cable gland, one CZ1725/3A M25×1.5 stopping plug	Φ12-19mm
DA2	铜制 2 个 CZ1725/1A M25×1.5 电缆密封套 Two brass CZ1725/1A M25×1.5 cable glands	Φ12-19mm
E-墙壁式灯 Wall light		
DA3	铜制 1 个 CZ1725/1A M25×1.5 电缆密封套, 2 个 CZ1725/3A M25×1.5 空塞堵头 One brass CZ1725/1A M25×1.5 cable gland, Two CZ1725/3A M25×1.5 stopping plug	Φ12-19mm
DA4	铜制 2 个 CZ1725/1A M25×1.5 电缆密封套, 1 个 CZ1725/3A M25×1.5 空塞堵头 Two brass CZ1725/1A M25×1.5 cable gland, One CZ1725/3A M25×1.5 stopping plug	Φ12-19mm

外形尺寸 Outline dimensions

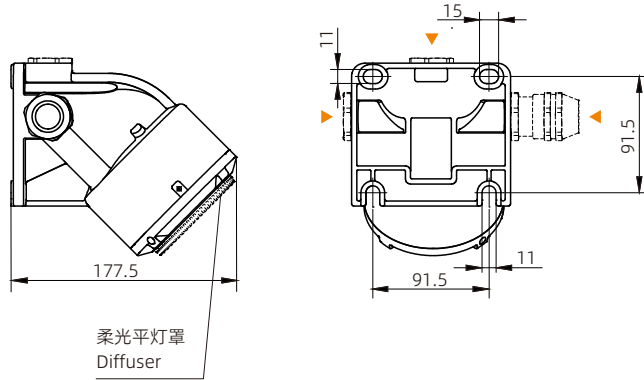
单位 Unit: mm



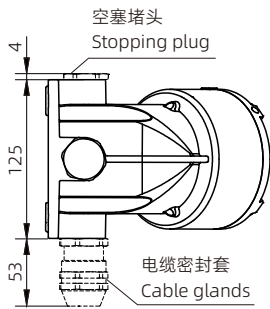
▶ 电缆密封套入口 Cable entry

外形尺寸 Outline dimensions

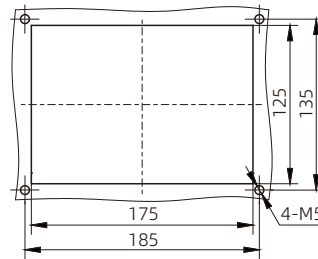
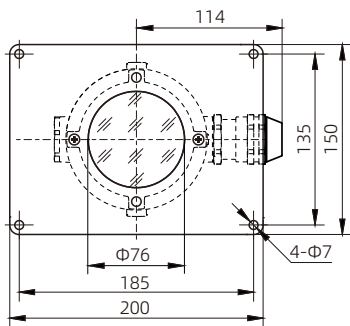
单位 Unit: mm



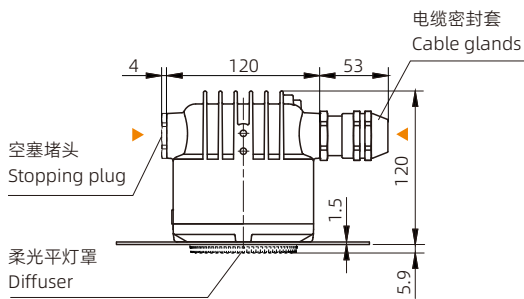
柔光平灯罩
Diffuser



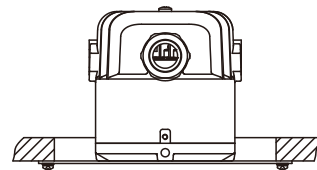
CZ6474/121E



嵌入式灯开孔尺寸
Drilling hole dimension
of recessed lighting



空塞堵头
Stopping plug
柔光平灯罩
Diffuser



嵌入式灯安装示意图
Mounting diagram of recessed lighting

CZ6474/131R

▶ 电缆密封套入口 Cable entry

A